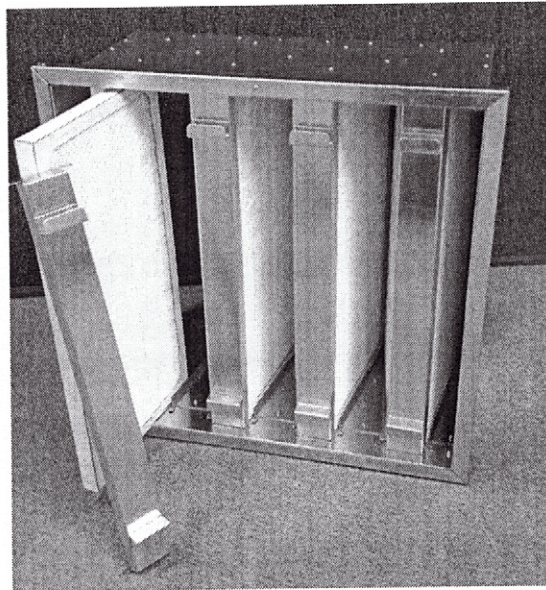


SUPERIOR

FILTRATION PRODUCTS, INC.

SUPERIOR DYNAFLOW FILTER WITH REPLACEMENT CARTRIDGES

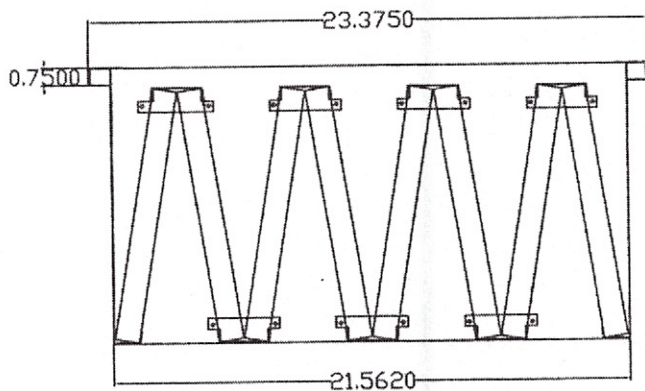


GENERAL OVERVIEW

THE SUPERIOR DYNAFLOW FILTER with replacement cartridges is an extended surface area/low pressure drop minipleat filter. These filters are available in 60-65%, 80-85% and 90-95% average efficiency ranges by ASHRAE Standard 52.1 testing methods as well as 98% DOP and carbon media. The filter media meets the same standard pursuant to ASHRAE Standard 52.2 for Merv 11, 13 and 14 filter medias. These filters are designed for use in commercial and industrial HVAC systems requiring medium to high efficiency filtration. The advantage of the replacement cartridge is not only the lower cost but ease of replacement and disposal. The overall cost of ownership is significantly less than a standard plastic frame V-Bank filter.

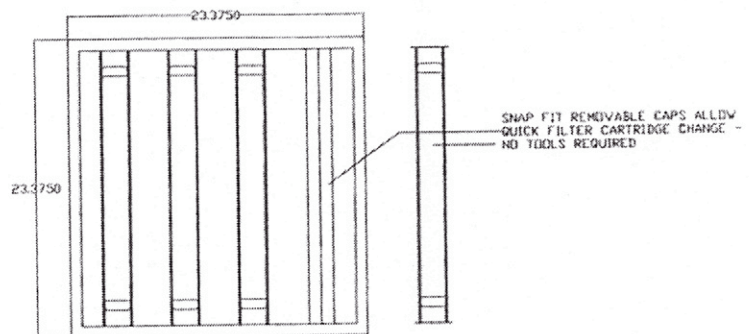
DynaFlow V8 Box and Single Header Filters ~ Air Flow Capacity and Initial Resistance							
ASHRAE Efficiency	Filter Size	Actual Dimensions			Airflow Capacity (cfm)	Initial Resistance (Inches of W.G.)	Media Area (Sq. Ft.)
		Height	Width	Depth			
MERV 14	12x24x12	11-1/2	11-1/2	11-1/2	1000	0.340	100
MERV 14	20x24x12	19-1/2	23-1/2		1500	0.340	160
MERV 14	24x24x12	23-1/2	23-1/2	2000	0.340	200	
MERV 13	12x24x12	11-1/2	11-1/2	1000	0.320	100	
MERV 13	20x24x12	19-1/2	23-1/2	1500	0.320	160	
MERV 13	24x24x12	23-1/2	23-1/2	2000	0.320	200	
MERV 11	12x24x12	11-1/2	11-1/2	1000	0.260	100	
MERV 11	20x24x12	19-1/2	23-1/2	1500	0.260	160	
MERV 11	24x24x12	23-1/2	23-1/2	2000	0.260	200	
98%	12x24x12	11-1/2	11-1/2	11-1/2"	1000	0.600	100
98%	20x24x12	19-1/2	23-1/2		1500	0.600	160
98%	24x24x12	23-1/2	23-1/2	2000	0.600	200	
95%	12x24x12	11-1/2	11-1/2	1000	0.360	100	
95%	20x24x12	19-1/2	23-1/2	1500	0.360	160	
95%	24x24x12	23-1/2	23-1/2	2000	0.360	200	
85%	12x24x12	11-1/2	11-1/2	1000	0.270	100	
85%	20x24x12	19-1/2	23-1/2	1500	0.270	160	
85%	24x24x12	23-1/2	23-1/2	2000	0.270	200	
65%	12x24x12	11-1/2	11-1/2	1000	0.250	100	
65%	20x24x12	19-1/2	23-1/2	1500	0.250	160	
65%	24x24x12	23-1/2	23-1/2	2000	0.250	200	

EFFICIENCY and SAVINGS Superior DynaFlow Filters with replacement cartridges have a virtually unmatched and exceptionally low clean pressure drop when compared to other filters. The low pressure drop of this filter helps reduce energy costs by decreasing the load on the system fans. Additionally, Superior DynaFlow filters are the filter of choice for packaged air conditioning systems without the fan capacity of larger central air systems. The increased surface area of this minipleated filter pack provides a very high dust holding capacity increasing the service life of the filter. This in turn reduces labor costs associated with installation, cost of the filter and less disruption of facilities due to filter change-out activities and shutdowns.



CONSTRUCTION Superior DynaFlow replacement cartridges are built using multiple minipleated panels bonded to flame-retardant board and inserted into a aerodynamically shaped housing with vertical supports used to support the filter and minimize turbulence. This attention to details yields an unusually strong and rigid filter frame facilitating replacement cartridges. The cartridges and frame are both moisture and corrosion resistant making this filter ideal for variable air volume (VAV) systems, as well as applications downstream of the supply fans. The use of replacement cartridges reduces the overall cost of ownership. The replacement cartridges cost significantly less than the new filter. Disposal costs are significantly less. Installation costs are significantly less. You can carry five sets of replacement filters instead of one full sized standard V-Bank filter.

INSTALLATION CONSIDERATION These filters may be installed in Burke ASTR holding frames, EnviroSeal Side Access Housings or in similar existing hardware. Smaller systems and systems with minimum upstream access space are well suited to using EnviroSeal Side Access Housings. The holding frame is furnished with a peripheral header on the air entering side and factory installed gasketing is available. Contact the factory or your representative about any special needs.



SUPERIOR
FILTRATION PRODUCTS, INC.

160 North 400 West
North Salt Lake, Utah 84054
Tel. 801.621.5200
www.superiorairfilters.com

the Ultimate
in Air Filtration